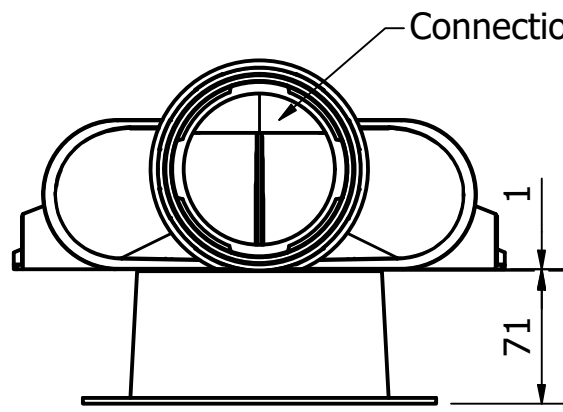
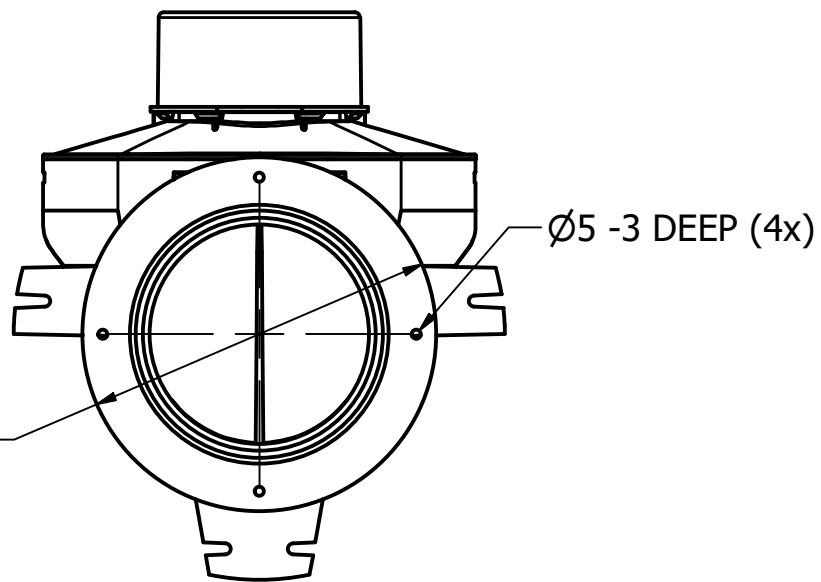
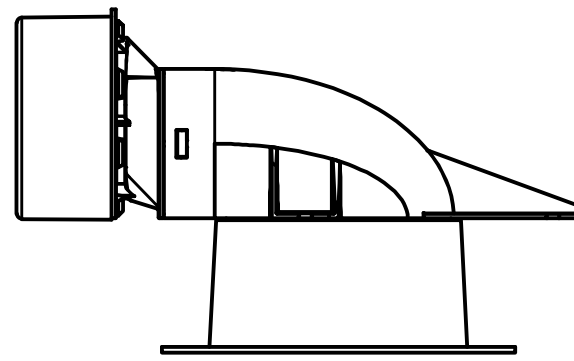


Connection for Ø125mm Duct (1x)



Connection for Ø90mm Uniflexplus+ Duct (1x)



PART NAME				
VVC 70CH 90 Ventielcollector 1xØ90 Ø125 H=70 90°				
DRAWING NUMBER VENT-AXIA		MATERIAL	REVISION HISTORY	
8000000085		Mixed	REV	DATE
			DESCRIPTION	BY
COLOUR		DATE		
RAL 5015/7035		21-3-2019		
SCALE	PROJ A-A	UNITS	SIZE	DRAWN BY
1 : 4		mm	A3	<i>Vent-Axia</i>